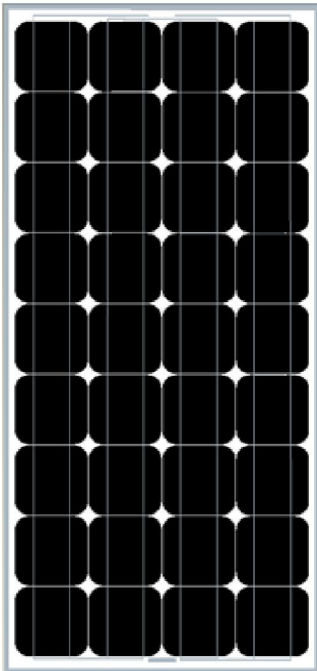


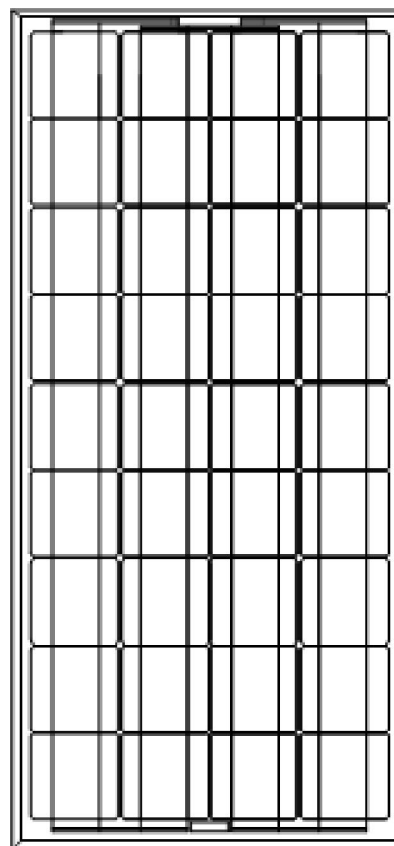
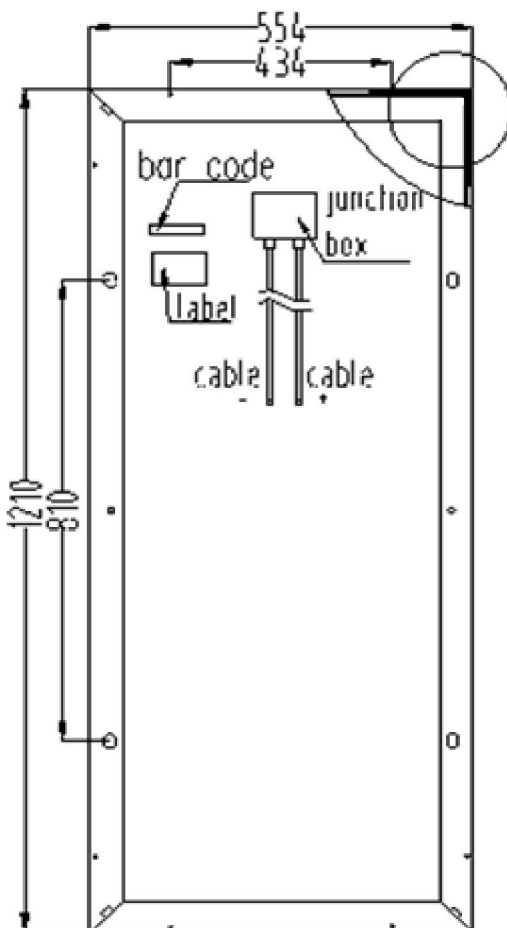


SF080-18-1M SF080-18-M(UL)

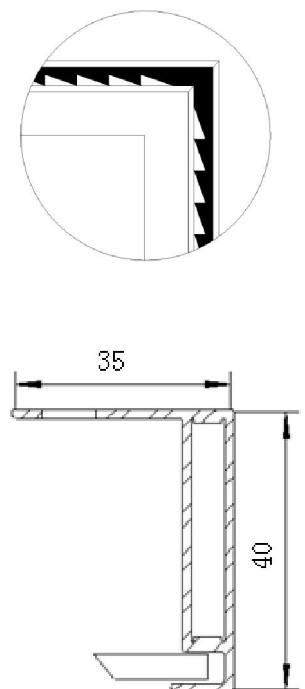


Model		SF 080-18-1M/M(UL)				
Maximum Power (Pmax)		70W	75W	80W	85W	90W
Open Circuit Voltage (Voc)		21.6V	21.7V	21.8V	22.4V	22.5V
Short Circuit current (Isc)		4.70A	4.88A	5.00A	5.12A	5.20A
Maximum Power Voltage (Vmp)		17.4V	17.6V	17.8V	17.9V	18.0V
Maximum Power Current (Imp)		4.02A	4.26A	4.50A	4.74A	5.00A
Dimensions(mm)		1210 × 554 × 40				
Weight(Kg)		7.4				
STC-Standards Test Conditions (25 °C, 1000W / m ² , AM1.5)						

Temperature and Coefficients		Limits	
NOCT	45 ± 3	Tolerance Wattage	± 3%
Temperature Coefficients of P	-0.49%/°C	Temperature Range	-40 ~ +85
Temperature Coefficients of V	-0.35%/°C	Surface Maximum Load Capacity	2400pa
Temperature Coefficients of I	+0.04%/°C	Allowable Hail Load	23m/s, 7.53g

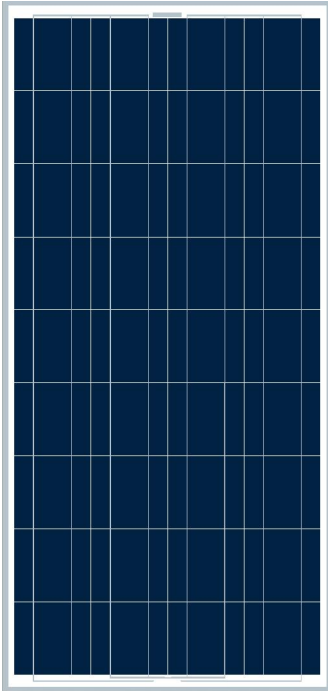


1:5 (角件)





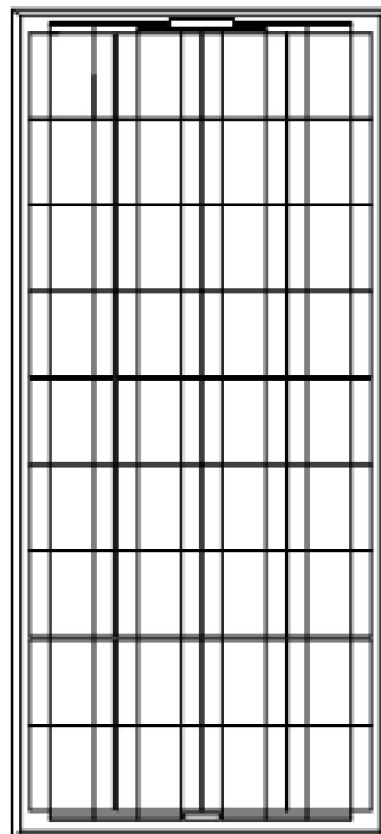
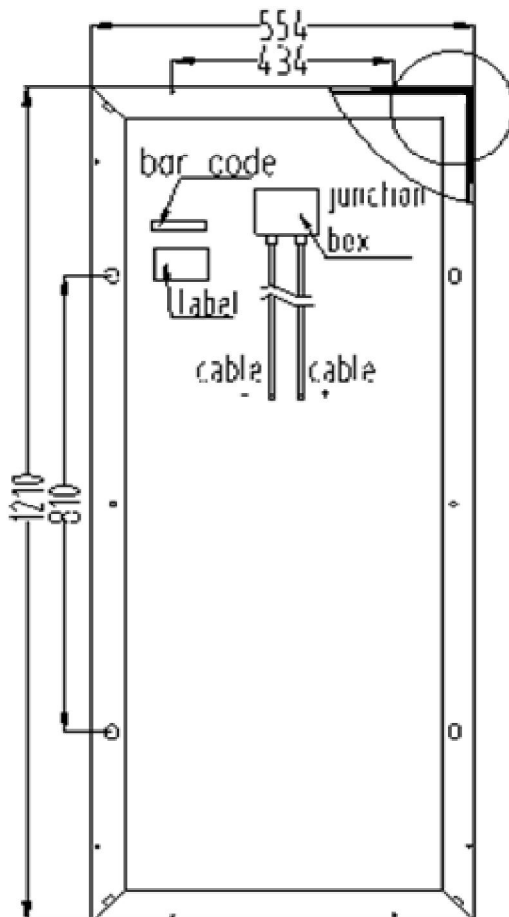
SF080-18-1P SF080-18-P(UL)



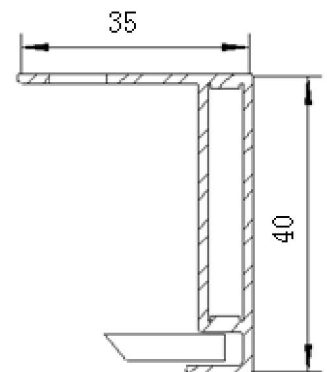
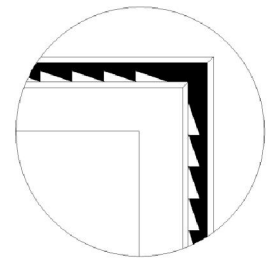
Model		SF 080-18-1P/P(UL)				
Maximum Power (Pmax)		70W	75W	80W	85W	90W
Open Circuit Voltage (Voc)		21.4V	21.5V	21.7V	21.8V	22.0V
Short Circuit current (Isc)		4.75A	4.90A	5.05A	5.15A	5.25A
Maximum Power Voltage (Vmp)		17.3V	17.5V	17.6V	17.8V	18.0V
Maximum Power Current (Imp)		4.05A	4.30A	4.55A	4.78A	5.00A
Dimensions(mm)		1210 × 554 × 40				
Weight(Kg)		7.4				

STC-Standards Test Conditions (25 °C, 1000W / m², AM1.5)

Temperature and Coefficients		Limits	
NOCT	45 ± 3	Tolerance Wattage	± 3%
Temperature Coefficients of P	-0.48%/°C	Temperature Range	-40 ~ +85
Temperature Coefficients of V	-0.34%/°C	Surface Maximum Load Capacity	2400pa
Temperature Coefficients of I	+0.05%/°C	Allowable Hail Load	23m/s, 7.53g



1:5 (角件)





SF080-18-1M-

Model		SF 080-18-1M-				
Maximum Power	(Pmax)	70W	75W	80W	85W	90W
Open Circuit Voltage	(Voc)	21.6V	21.7V	21.8V	22.4V	22.5V
Short Circuit current	(Isc)	4.70A	4.88A	5.00A	5.12A	5.20A
Maximum Power Voltage	(Vmp)	17.4V	17.6V	17.8V	17.9V	18.0V
Maximum Power Current	(Imp)	4.02A	4.26A	4.50A	4.74A	5.00A
Dimensions(mm)		836 × 808 × 40				
Weight(Kg)		7.2				
STC-Standards Test Conditions (25 °C, 1000W / m ² , AM1.5)						

Temperature and Coefficients		Limits	
NOCT	45 ± 3	Tolerance Wattage	± 3%
Temperature Coefficients of P	-0.49%/°C	Temperature Range	-40 ~ +85
Temperature Coefficients of V	-0.35%/°C	Surface Maximum Load Capacity	2400pa
Temperature Coefficients of I	+0.04%/°C	Allowable Hail Load	23m/s, 7.53g

